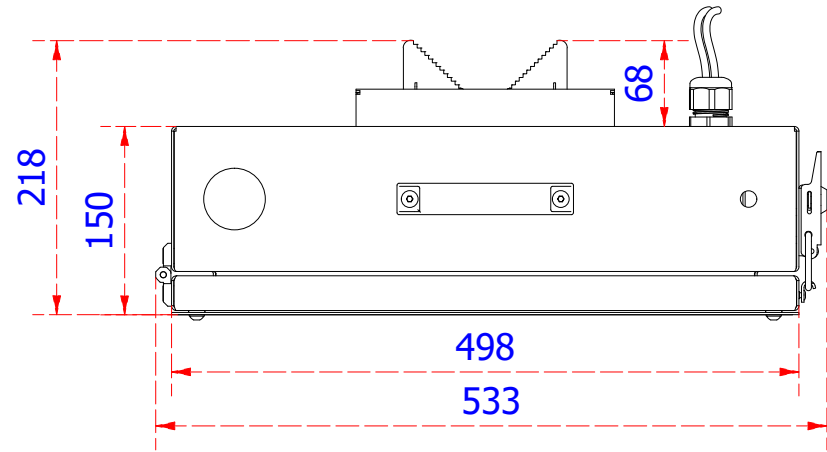
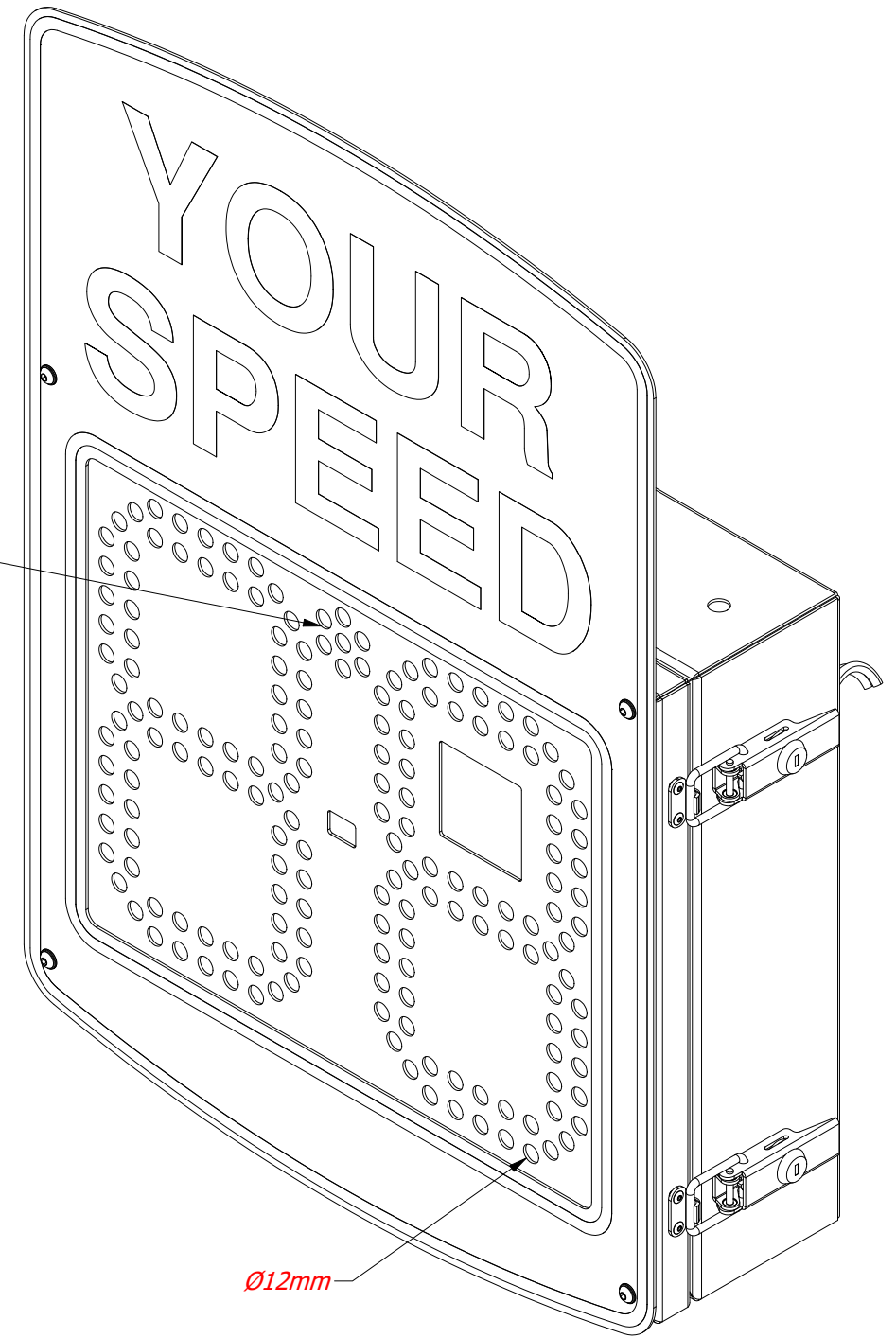


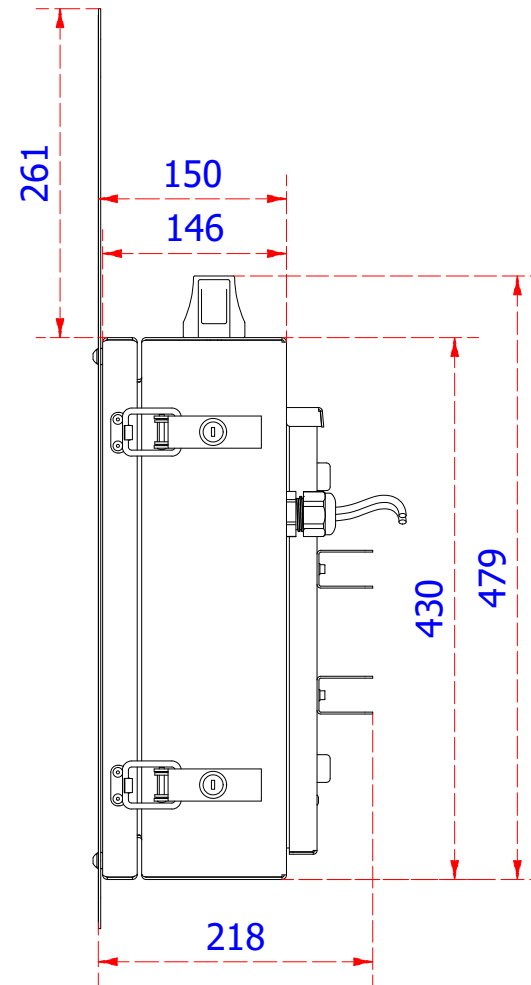
Top View



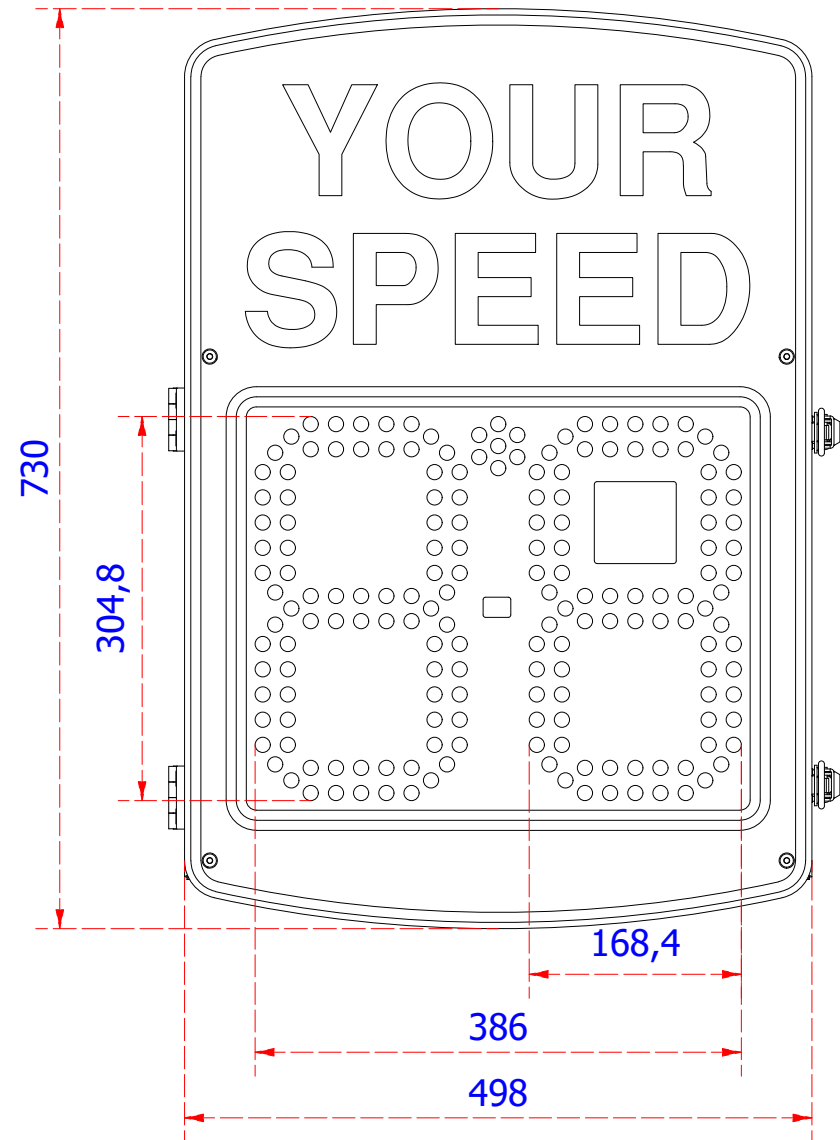
Isometric View



Right Side View



Front View



Note: Tolerance ± 2mm

Projection Angle
Third Angle

Designed by
Harmanpreet Singh

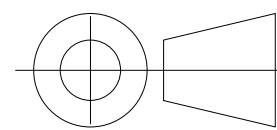
Checked by

Date Weight of Products

All Dimension
are in mm.

Date
26-12-2023

Quantity



PHOTONPLAY
— SYSTEMS —

Project Name: **iCop-R1200 Technical Drawing**

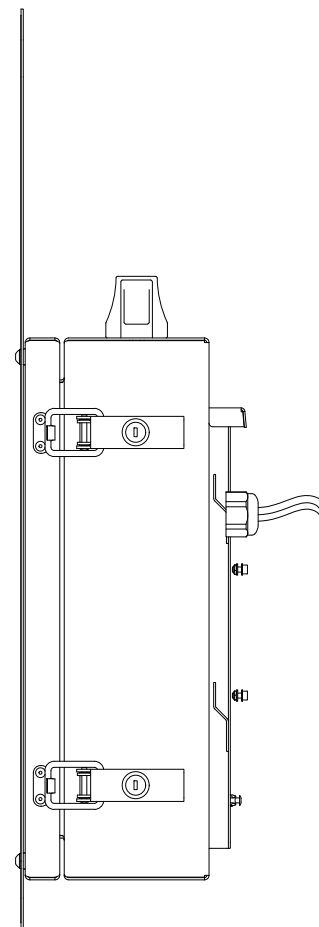
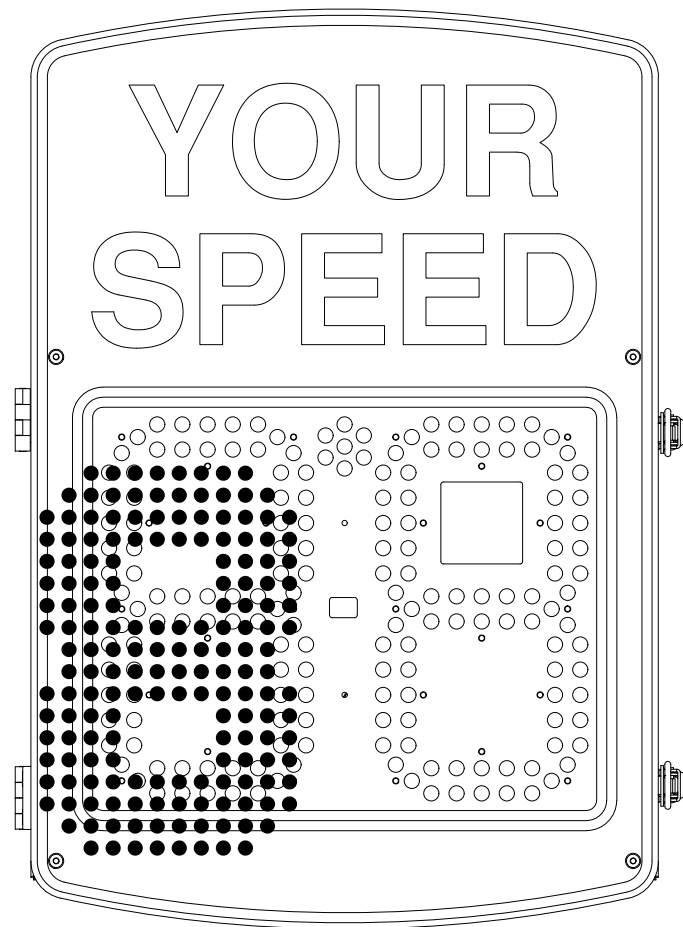
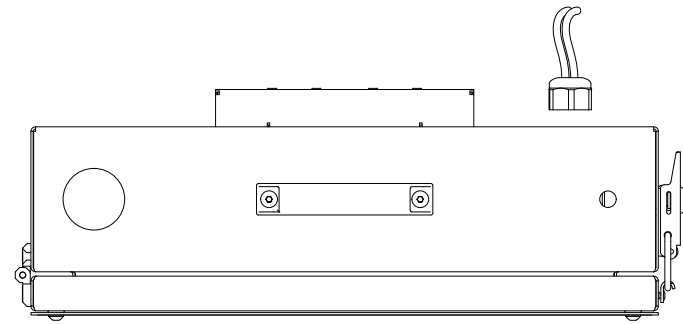
Product: **iCop-R1200**
(Size:- 730x498x150mm)

Edition

Sheet
1/1

iCop-1200M Description for Technical Datasheet

1. **Digit Size/Height:** 12.18 inch (309.5mm)
2. **Face Plate Text Size:** 4 inch (101.6mm)
3. **Sign/Cabinet Size:** 660.4x512x143mm
4. **Sign/Cabinet+Face Plate Size:** 820x660.4x146mm
5. **Pixel Pitch:** 17.5mm
6. **Resolution:** 18x32 Pixels
7. **Display Size:** 555x309.5mm
8. **Charactor Height:** 309.5mm
9. **Charactor Width:** 204.5mm
10. **Stroke Width:** 64.5mm



iCOP-1200M
Pitch-17.5mm
Resolution-18x32

iCOP-1200M

Pitch-17.5mm

Resolution-18x32

D

D

C

C

B

B

A

A

6

5

4

3

2

1

6

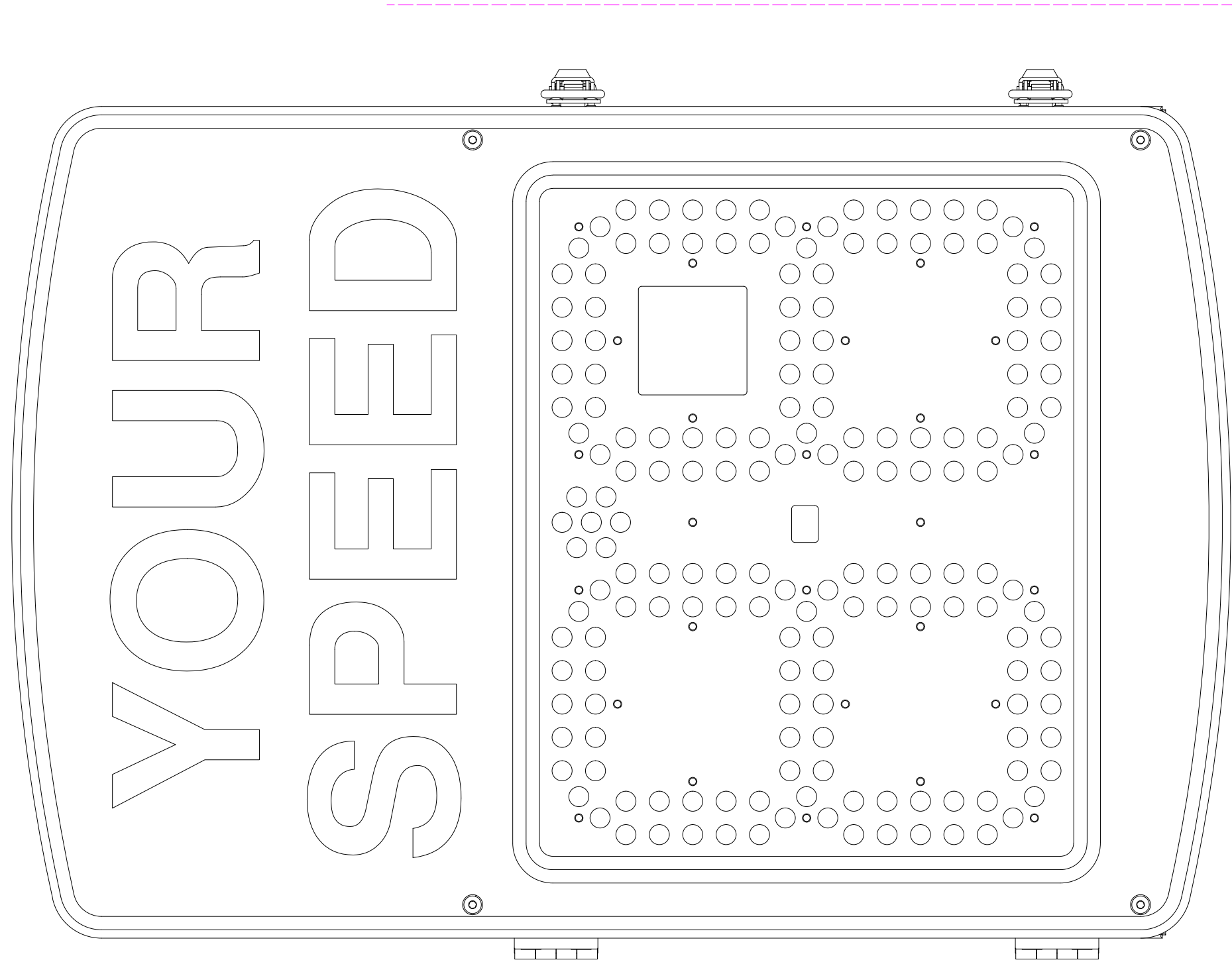
5

4

3

2

1



620