



PASSENGER INFORMATION DISPLAY SYSTEMS

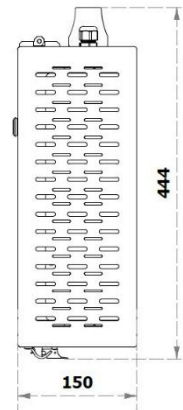
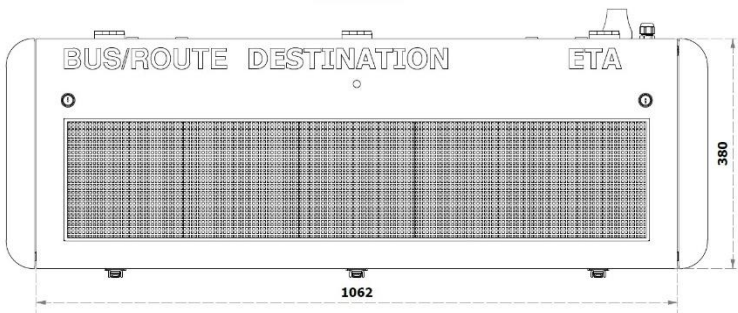
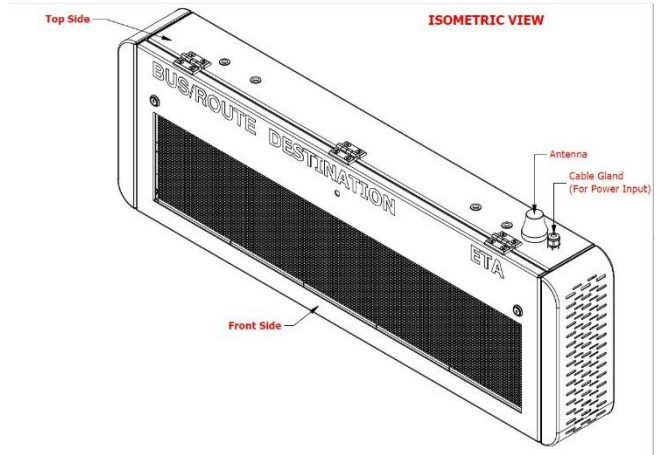
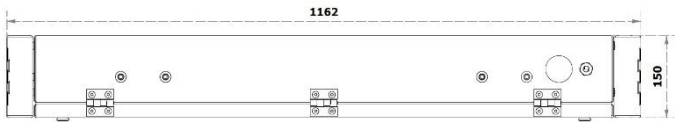
Model: PIDS.A6. S

FOR PASSENGER INFORMATION APPLICATIONS

PHOTONPLAY is the leading supplier of high-quality LED variable message signs for traffic guidance and information purposes. PIDS is a digital and electronic system that provides information to passengers in various modes of transportation, such as airports, train stations, bus terminals, and subway stations. PIDs can display information such as arrival and departure times, gate or platform numbers, delays, cancellations, and other relevant travel information.



Product Dimensions



1.0		Technical Details
1.1	Light source	High Power LEDs
1.2	Housing	Modular design principle in seawater-proof, powder-coated made of Aluminum
1.3	Protection	Class IP 66
1.4	Temperature Classes	-25 deg to +75 deg C
1.5	Humidity Range	5% – 95% rel. humidity
1.6	Controller & Antenna	In built
1.7	Communication to server	GPRS
1.8	Mounting options	C-rails pipe clamps and other constructions on request
1.9	Communication Protocol	TCP/IP
1.10	Optic	Optical equipment fits into the matrix luminance ratio (contrast) up to 100, even at low sun position <10°
1.11	Communication interval	Real time (configurable interval from 1s to 256s)
1.12	Configuration	LAN / SMS (in built server)
1.13	Message Format	<ul style="list-style-type: none"> • Bus No: Bus route number display • Destination: destination of route and via stops • Time: Estimated time of arrival of the bus at stop (in minutes)

2.0		LED Matrix
2.1	Light source	High Intensity LEDs
2.2	Color	RGB (7 Color)
2.3	Pixel Pitch	6mm
2.4	Pixel Formation	SMD PLCC-2
2.5	Resolution	Matrix: 32 x 160 pixels Display Area: 202 x 970 mm
2.6	Module size	32x32
2.7	Chain Failure	No
2.8	Scan Type	1/4 - 1/8 Scan

4.0		DISPLAY SPECS
4.1	Character/Line	2 line (Hindi/English/Punjabi and regional)
4.2	Intensity of Light	5000mcd
4.3	Max. Viewing Distance	40m
4.4	Beam Width / Viewing Angle	120deg (Vertical) x 120deg(Horizontal)
4.5	Brightness Control	Automatic sensor based brightness control
4.6	In built sensor	<ul style="list-style-type: none"> o Ambient Light sensors o Door Sensor
4.7	Display area	202 x 970mm
4.8	Overall Cabinet Size	1062 x 380 x 50mm
4.9	Languages	English, Punjabi, Hindi & Regional
4.10	Graphics	Custom graphic support
4.11	Display Mode	Fixed, Scrolling and Flashing

5.0 MECHANICAL SPECS		
5.1	Mounting	C-rails, pipe clamps and other constructions on request
5.2	Housing Material	Aluminum
5.3	Finish and paint	(RAL color TBD), 25÷30% Gloss, RAL Range, Non reflecting MAT, powder coating
5.4	Front finish	Polycarbonate (Make: GE-Lexan) Both Side UV Coated, Anti glare, High performances, high contrast, anti-glazing, anti-vandalism, polycarbonate Upon request Antireflective, Monolithic, tempered glass
5.5	Maintenance provision	Front Access (dual Lockable)
5.6	Security	<ul style="list-style-type: none"> • Alarm string in case of casing is open • Safety screws
5.7	Weight	22.4kgs

6.0 ELECTRICAL SPECS		
6.1	Power Supply	90VAC-240VAC 50/60 HZ
6.2	Typical power consumption	150W (Max) 50W (Average)
6.3	Communication	TCPIP / GSM
6.4	MTBF/life span	100,000 hours
6.5	MTTR	1.0 Hr
6.6	Operating Temperature	-25 deg to 75 deg C
6.7	Humidity	Operation ambient humidity: 5%-95%Rh

PHOTONPLAY SYSTEMS (P) LTD.

 Director