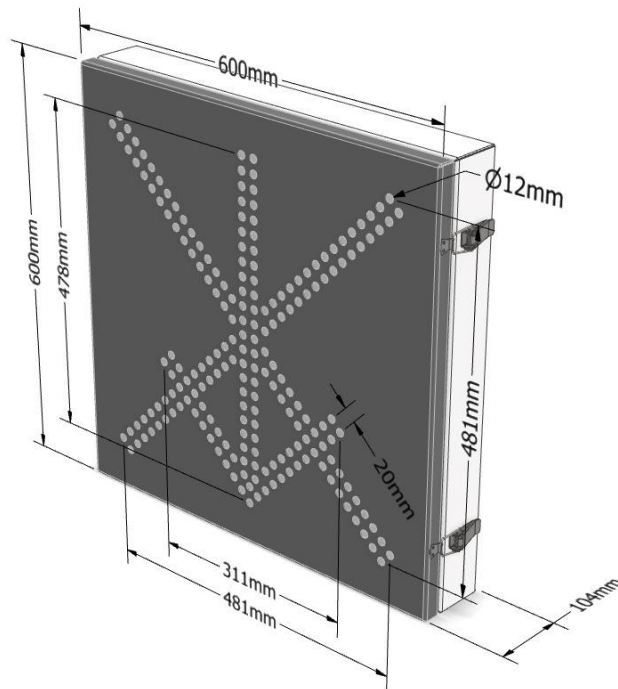




## LCS (Lane Control sign)

FOR TRAFFIC AND ITS SYSTEMS

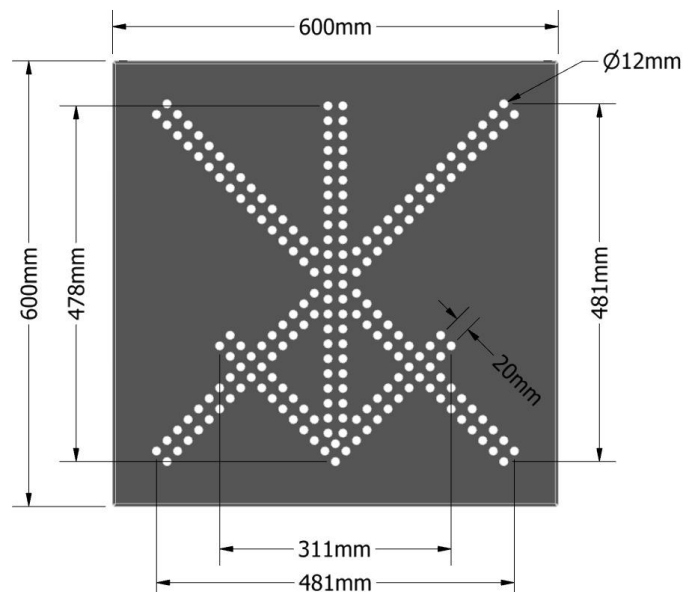
PHOTONPLAY is the leading supplier of high quality LED variable message signs for traffic guidance and information purposes. Photonplay's optically outperforming variable message signs are highly reliable components of numerous traffic management systems on motorways, in urban traffic guidance, lane control signalling and tunnel information. Further applications are car parking systems, traffic calming, road safety enhancement, warning of upcoming hazards and traffic routing at customs facilities, toll gates and truck checkpoints.



1.0		TECHNICAL DETAILS
1.1	<b>Light source</b>	High Power LEDs
1.2	<b>Housing</b>	Modular design principle in seawater-proof, powder-coated profiles made of Aluminum
1.3	<b>Protection</b>	Class IP 65
1.4	<b>Temperature Classes</b>	-25°C to +60°C
1.5	<b>Humidity Range</b>	5 – 95% rel. humidity
1.6	<b>Interfaces</b>	12VDC Potential Free Inputs x 2
1.7	<b>Mounting options</b>	Ceiling Mount with Pole using M8 fasteners

2.0		LED Matrix
2.1	<b>Light source</b>	High Intensity LEDs
2.2	<b>Color</b>	Red+Green
2.3	<b>Pixel Formation</b>	SMD
2.4	<b>Beam Width</b>	80-90Degrees

3.0		LED Specs
3.1	<b>Color</b>	Red (Cross), Green (Arrow)
3.2	<b>Material</b>	AlGaInP
3.3	<b>Lens</b>	Clear type
3.4	<b>Luminance Intensity</b>	3050-5300 MCD

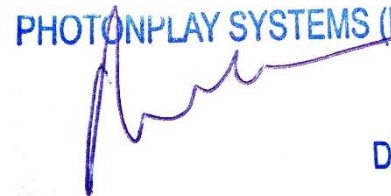


4.0	DISPLAY SPECIFICATIONS	
4.1	<b>Brightness</b>	1500 to 4500 cd/m <sub>2</sub>
4.2	<b>Viewing Distance</b>	≥210M (speed 100KM/h)
4.3	<b>Beam Width</b>	80-90Degrees
4.4	<b>Overall Cabinet</b>	606mm x 606mm x 95mm
4.5	<b>Graphics</b>	Arrow & Cross
4.6	<b>Color Class</b>	C1
4.7	<b>Luminance</b>	L3
4.8	<b>Luminance Ratio</b>	R2

5.0	Mechanical	
5.1	<b>Mounting</b>	Ceiling Mount with Pole using M8 fasteners
5.2	<b>Housing Material</b>	Aluminum 1.5T
5.3	<b>Front plate coat</b>	Polycarbonate sheet
5.4	<b>Finish and paint</b>	Black powder coated
5.5	<b>Front finish</b>	Polycarbonate sheet
5.6	<b>Weight</b>	8kgs approx.
5.7	<b>Maintenance</b>	Front Access , Single Door

6.0	ELECTRICAL SPECS	
6.1	<b>Power Supply</b>	24VDC
6.2	<b>Typical power consumption</b>	50W (Max)
6.3	<b>Communication</b>	24VDC Potential free input (Arrow & Cross)
6.4	<b>MTBF/life span</b>	100,000 hours
6.5	<b>Operating Temperature</b>	-25 deg to 60 deg C
6.6	<b>Humidity</b>	Operation ambient humidity: 5%-95%Rh

PHOTONPLAY SYSTEMS (P) LTD.



Director