



Emergency Exit Sign

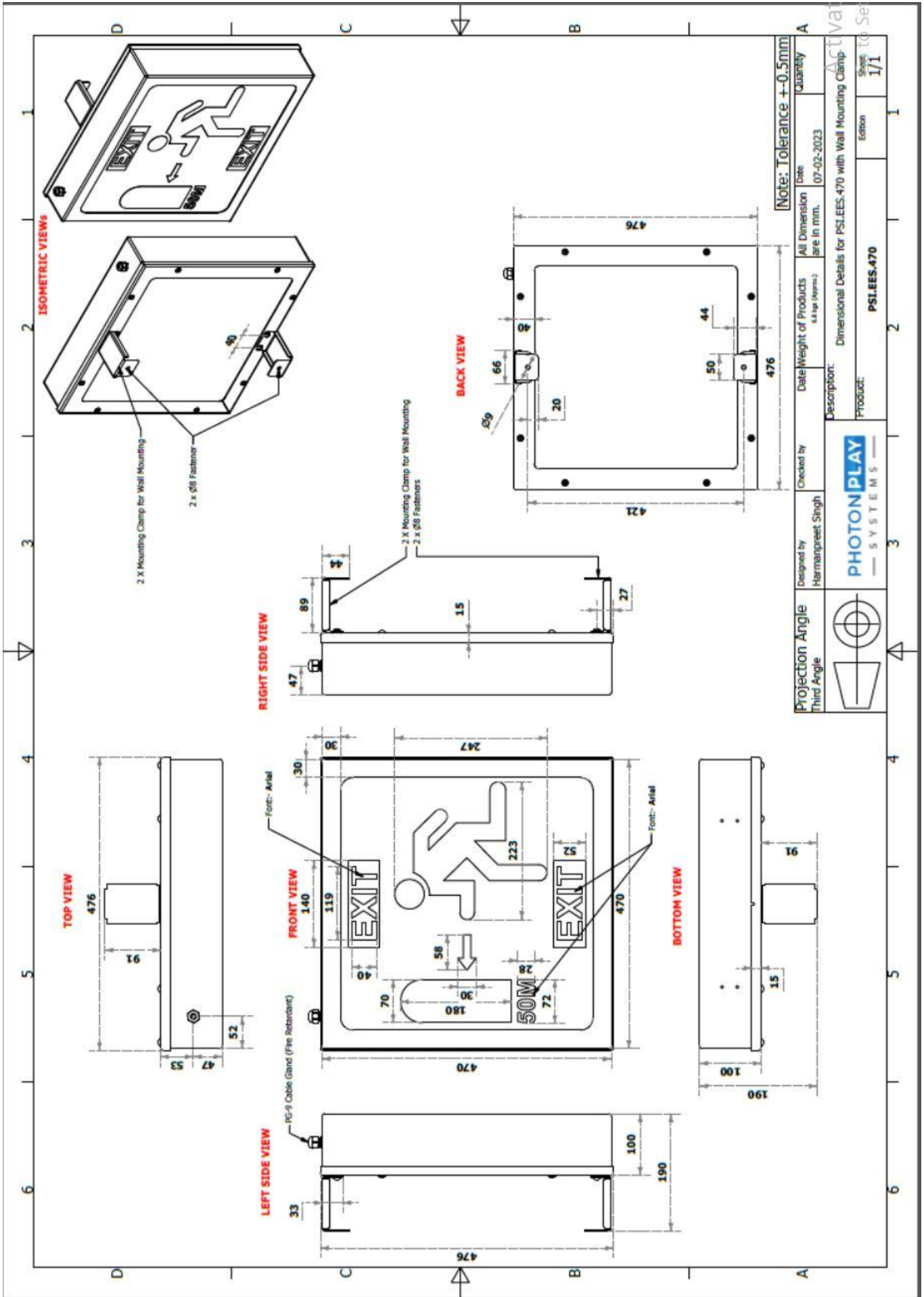
Model: PSI.EES.470



1.0	TECHNICAL DETAILS	
1.1	Light source	LED
1.2	Housing	SS 2.0T (Powder Coated) Thickness – 2 mm Material: 1.4401
1.3	Ingress Protection	IP65
1.4	Temperature Classes	-20°C to +85°C
1.5	Humidity Range	5 – 95% rel. humidity
1.6	Mounting options	Custom Wall (2 x M8 x 65/85mm Fasteners) SS Grade, Seismic
1.7	Color	White
1.8	Image Plate Material	3mm Acrylic Glass (Single side Foil Silk Screen Printed)
1.9	IK Rating	08
1.10	Driver	Meanwell / Omron/ Equivalent

PHOTONPLAY SYSTEMS (P) LTD.

Director



Note: Tolerance $\pm 0.5\text{mm}$	
Date	Quantity
07-02-2023	

Checked by	Date/Weight of Products	All Dimension
Harmanpreet Singh	6.4 kg (14.1 lbs)	are in mm.

Designed by	Description:
Harmanpreet Singh	Dimensional Details for PSLEES-470 with Wall Mounting Clamp

Product:	PSLEES-470
Edition	1/1

PHOTONPLAY
— SYSTEMS —

2.0		DISPLAY SPECIFICATIONS
2.1	Led Make	Litemax / Samsung/ Osram
2.2	LED Wattage	24W
2.3	Overall Cabinet Size	470 (L) x 470 (H) x 100 (W) MM
2.4	Display Design	Emergency Exit Sign
2.5	LED Operation	Static
2.6	Weight	8-10kgs Approx.
2.7	Luminance	≥ 200 cd/m2

3.0		ELECTRICAL SPECS
3.1	Power Supply	230VAC 50/60 HZ (+-10%)
3.2	Typical power consumption	24W (Max)
3.4	life span	75,000 hours
3.7	Surge Protection	2.5Kv
3.8	Cabling	3 CORE 2.5 Sq.mm LSZH, Cu, Fire Retardant Flexible Cable
3.9	Protection Class	Class II
3.10	Conduits/Glands	Fire Retardant Single compression glands x 1 (AC POWER)

PHOTONPLAY SYSTEMS (P) LTD.



Director